

Clearances - Grease Duct

This grease duct is primarily intended for use in non-combustible surroundings when installed in a room where enclosure is not required. Grease duct may be located at clearance to combustibles, as shown in **Table 6**. Grease duct may be located in a corner formed by two combustible walls, provided the minimum clearance is maintained.

In all buildings more than one story in height and in buildings where the roof-ceiling assembly is required to have a fire-resistance rating, the duct must be enclosed in a continuous enclosure from the lowest fire-rated ceiling or floor above the hood, through any concealed spaces, to or through the roof to maintain the integrity of the fire separations required by the applicable building code provisions. If the building is less than 4 stories in height, the enclosure shall have a fire-resistance rating of not less than 1 hour. If the building is 4 stories or more in height, the enclosure shall have a fire-resistance rating of not less than 2 hours. The clearance between the outside of the duct and the inside of the rated enclosure must be a minimum of 6 inches or required by code.

Combustible roofs or roof-ceiling assemblies may be penetrated using the vertical support assembly when distance to combustible surfaces is maintained.

Table 6 - Grease Duct Clearance to Combustibles

Diameter	UL1978 Clearance to Combustibles	UL1978 Clearance to Limited Combustibles	Clearance to Non-Combustibles
5", 6", 7", 8", 10", 12", 14", 16", 18", 20", 22", 24", 26", 28", 30", 32", 34", 36"	18"	3"	0"

The information in **Table 6** represents air space, in inches, to surroundings.

Note: Refer to the latest edition of NFPA 96, Chapter 3 Definitions. This explains the definitions of combustible, non-combustible and limited combustible material.

Zero Clearances to Combustibles

This duct is to be used in non-combustible surroundings. Where the duct does not require an enclosure, it must have a minimum clearance to adjacent combustible walls, as shown in **Table 6**. In cases where the ducting extends through any story of a building above the location at the connected appliances, it must be enclosed in the upper stories with walls having a fire-resistance rating of not less than one hour for buildings of two or three stories in height. If the building is four stories or more in height, the enclosure wall shall have a fire-resistance rating of not less than two hours.

Clearances - Chimney

In all buildings more than one story in height and in buildings where the roof/ceiling assembly is required to have a fire resistance rating, the chimney must be enclosed in a continuous enclosure. This enclosure will be from the lowest fire-rated ceiling or floor above the appliance, through any concealed spaces, to or through the roof to maintain the integrity of the fire separations required by the applicable building code provisions.

If the building is less than 4 stories in height, the enclosure shall have a fire resistance rating of not less than 1 hour. If the building is 4 stories or more in height, the enclosure shall have a fire resistance rating of not less than 2 hours. When installed in an open room where an enclosure is not required, double wall chimney may be located at clearance to combustibles in accordance with **Table 7**. All through floor penetrations will contain an insulated section of double wall DW-2R chimney that allows for a reduced clearance.

Table 7 - Chimney Clearances to Combustibles

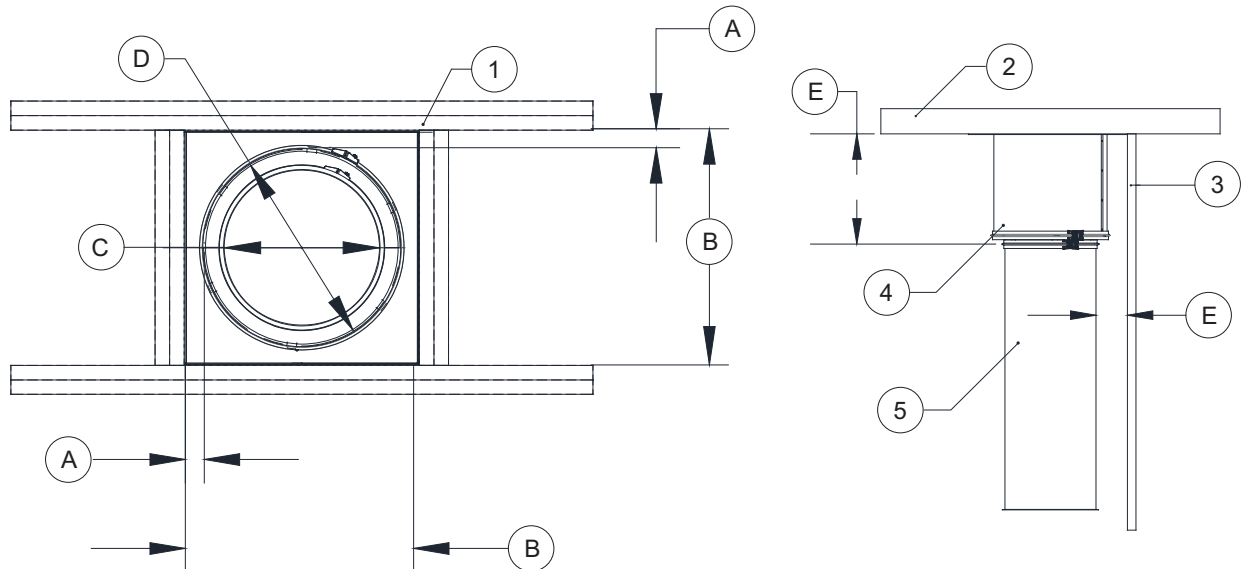
Diameters	Thimble Assembly Shell Diameter (Thru Penetration)	Thimble Assembly Clearance to Combustibles to Joist)	UL103 Clearance to Combustibles (Chimney to Ceiling/Wall)	UL2561 Clearance to Combustibles (Chimney to Ceiling/Wall)	Clearance to Non-Combustibles	Through Floor Opening
5"	9"	2"	18"	36"	0"	13-1/2"
6"	10"	2"	18"	36"	0"	14-1/2"
7"	11"	2"	18"	36"	0"	15-1/2"
8"	12"	2"	18"	36"	0"	16-1/2"
10"	14"	2"	18"	36"	0"	18-1/2"
12"	16"	2"	18"	36"	0"	20-1/2"
14"	18"	2"	18"	36"	0"	22-1/2"
16"	20"	2"	18"	36"	0"	24-1/2"

The information in **Table 7** represents air space, in inches, to surroundings.

NOTE: Clearance plates are not required for chimney thimble assemblies, a 2" clearance to combustibles will be maintained between the DW-2R shell and combustible surface in the joist area.

NOTE: Table 7 on page 15 shows two different clearances; chimney clearance is from the chimneys outer diameter (OD) to the combustible ceiling/floor. The thimble assembly clearance is from the chimneys shell OD to the combustible joist. It is important that all clearance to combustibles noted in Table 7 and on the UL label are followed.

Figure 7 - Chimney Clearance



- | | |
|--|--|
| <ul style="list-style-type: none"> 1. Combustible Surface 2. Ceiling 3. Wall 4. DW-2R Double Wall Thimble Assembly 5. Single Wall Chimney Section | <ul style="list-style-type: none"> A. Clearance to Combustibles (Shell to Joist), refer to Table 7 B. Wall/Floor Opening, refer to Table 7 C. Chimney Diameter D. DW-2R Shell Outer Diameter (OD) E. Clearance to Combustibles (Chimney to Ceiling/Wall), refer to Table 7 |
|--|--|