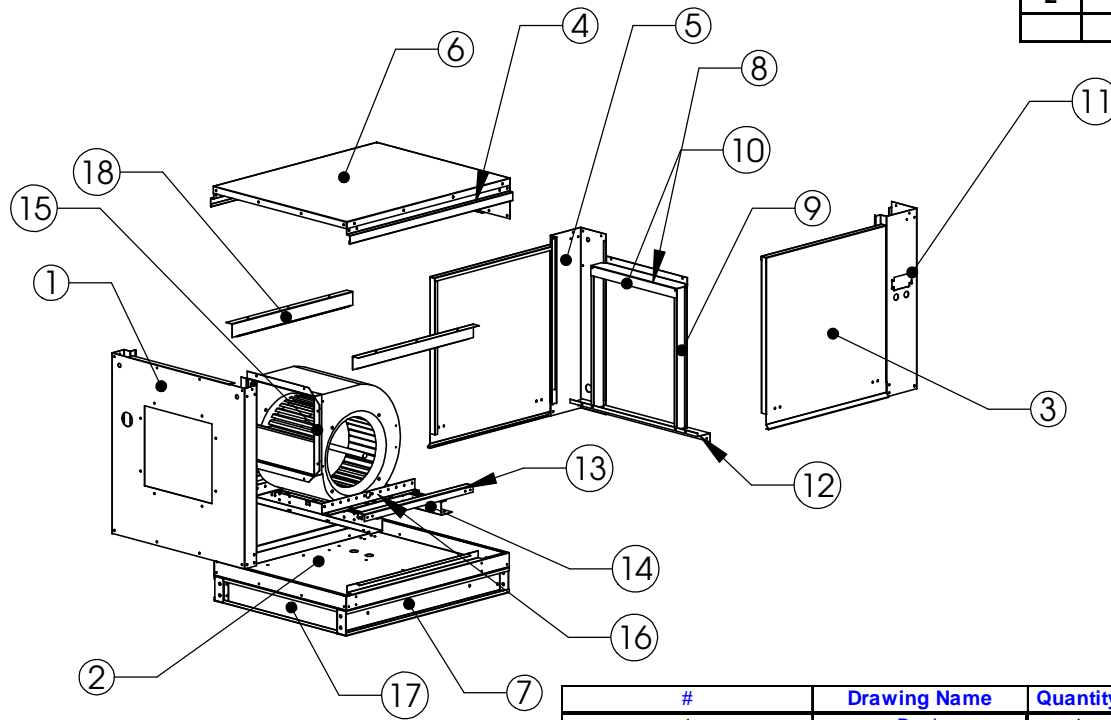


INLINE Exploded View



Revision History				
#	Description	Revised by	ECN#	Date
1	Add Filter Information	AJK	2163	10/8/10
2	Added Brackets	AJK	2261	7/11/11

Filter Information	
Blower	Filter Size
10'-L	(1) 16IN x 20IN
10'	(1) 16IN x 20IN
12'	(1) 20IN x 25IN
15'	(1) 20IN x 25IN
18'	(2) 20IN x 25IN

- Notes:
- 1) Lifting Lugs = M1LIFTL (4 Required)
 - 2) Right Front Post has multiple configurations for various disconnect switches.
(RD) for rotary disconnect
(NS) for no switch
 - 3) Disconnect switch is dependent on motor load.
 - 4) L1VIB vibration isolator used on G Series blowers.
 - 5) G18 Uses 3 Horizontal Supports (M3HSUP).
 - 6) All Units are insulated.

#	Drawing Name	Quantity	G10 Side LP	G10 Side	G12 Side	G15 Side	G18 Side	
1	Back	1	B10SLP	B10SDBKVP	B22SDBK	B25SDBKVP	B3SDBKVP	
2	Bottom	1	B1SDBT	B1SDBT	B2SDBT	B2SDBT	B3SDBT	
3	Door	2	B1DOLP	B1DOOR	B2DOOR		B3DOOR	
4	Drip Rail	2	B1DPRL		B2DPRL		B3DPRL	
5	Left Front Post	1	B1LPLP	B1LTFP	B2LTFP		B3LTFP	
6	Lid	1	B1LDLP	B1LIDD	B2LIDD		B3LIDD	
7	Main Rail	2	B1MNRL		B2MNRL		B3MNRL	
8	Filter Stop	1	N/A		B2NFSP		B3NFSP	
9	Filter Side	2	B1NSID		B2NSID		N/A	
10	Filter Top	1	B1NLTP	B1NTOP	B2NTOP		B3NTOP	
11	Right Front Post	1	B1RPLP	B1RTFP	B2RTFP		B3RTFP	
12	Filter Bottom	1	M12IBOT				B3NBOT	
13	Door Hook	2	B1DRHK		B2DRHK		B3DRHK	
14	Horizontal Support	2	M1HSUP		M2HSUP		M3HSUP	
15	Blower Collar	1	B1G10COL		B2G12COL	B2G15COL	B3G18COL	
16	Blower Brace	2	B1BLBC		B2BLBC		B3BLBC	
17	End Flashing	2	M1EFLS		M2EFLS		M3EFLS	
18	Door Support	2	B1DRSP		B2DRSP		B3DRSP	
Motor Mounting Hardware	Motor Platform	1	G10BRACKET		G12BRACKET	G15BRACKET	G18BRACKET	
	Scroll Plate Angle	2	SCROLLPLATE					
	Direct Drive Bracket	2	B1DDMM		N/A			