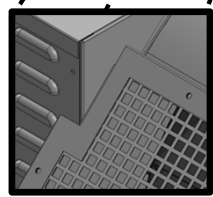
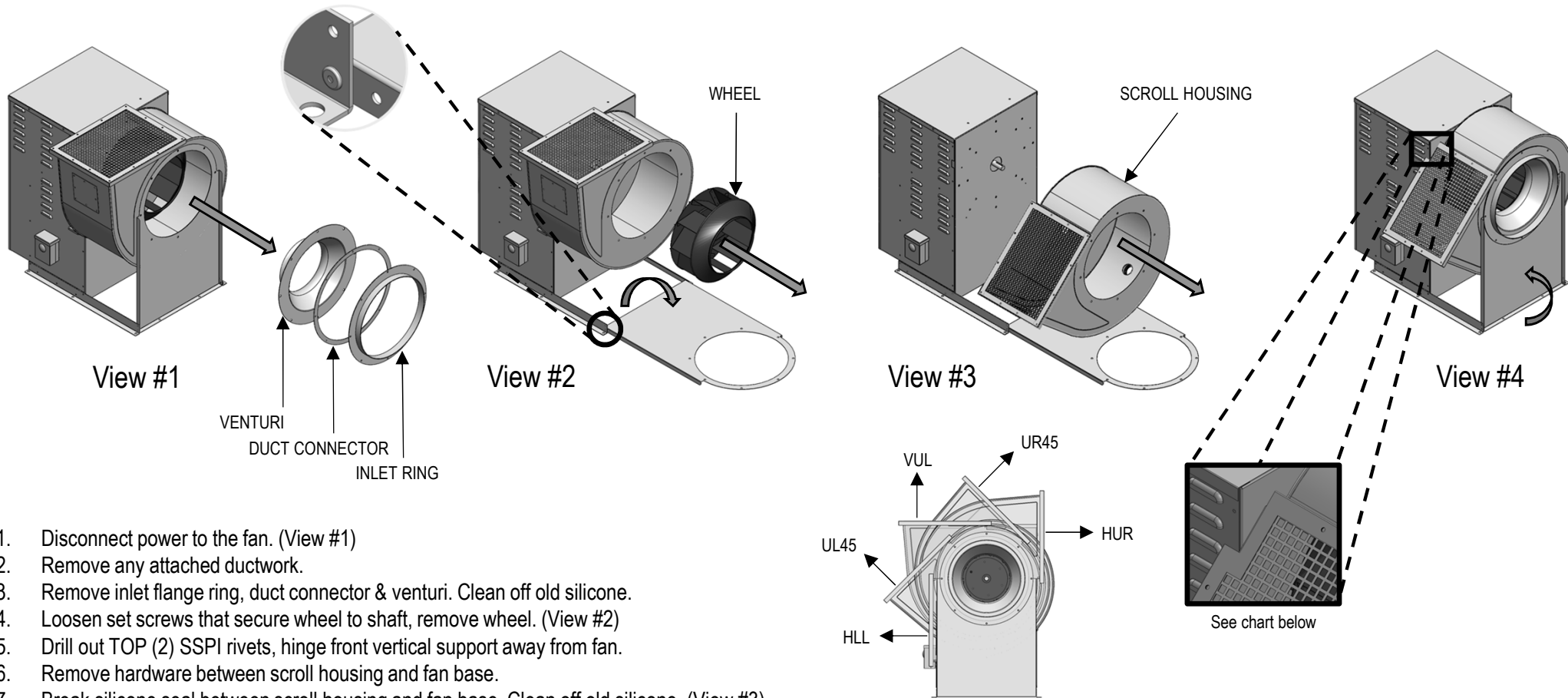


# Instructions to Change USBI Scroll Orientation



See chart below

1. Disconnect power to the fan. (View #1)
2. Remove any attached ductwork.
3. Remove inlet flange ring, duct connector & venturi. Clean off old silicone.
4. Loosen set screws that secure wheel to shaft, remove wheel. (View #2)
5. Drill out TOP (2) SSPI rivets, hinge front vertical support away from fan.
6. Remove hardware between scroll housing and fan base.
7. Break silicone seal between scroll housing and fan base. Clean off old silicone. (View #3)
8. Cap-off old 2" drain.
9. Weld new 2" drain in bottom of scroll housing, based on new orientation (flush with inside of scroll housing).
10. Apply new silicone (3M 2000+) between scroll housing and fan base.
11. Attach scroll housing in new location (45 degree increments), using old hardware. (View #4)
  - a. If interference occurs, see chart for new discharge screen cover PN.
12. Hinge front vertical support back to original location against scroll housing.
13. Install (2) new SSPI rivets in front vertical support (1/4-20 nuts/bolts can be used as a replacement).
14. Re-install wheel, DO NOT tighten set screws.
15. Apply new silicone (3M 2000+) between mating faces of venturi, duct connector & inlet flange ring.
16. Re-install venturi, duct connector & inlet flange ring, using old hardware.
17. Adjust wheel (overlap venturi by 1/4"), tighten set screws to proper torque.
18. Re-install ductwork.
19. Check installation, enable power to the fan.

	HLL	UL45	VUL	UR45	HUR
USB11	N/A	USB11DISCOVER-M*	N/A	USB11DISCOVER-M*	N/A
USB13	N/A	USB13DISCOVER-M*	N/A	USB13DISCOVER-M*	N/A
USB15	N/A	USB15DISCOVER-M*	N/A	USB15DISCOVER-M*	N/A
USB18	N/A	USB18DISCOVER-M*	N/A	USB18DISCOVER-M*	N/A
USB20	N/A	USB20DISCOVER-M*	N/A	USB20DISCOVER-M*	N/A
USB24-36	N/A	N/A	N/A	N/A	N/A

\*Scroll housing and discharge screen need to be cut to match notch in new discharge screen cover

**VOID WARRANTY ISSUES RELATED TO LEAKING**